



MANUAL OF USE



C10P023 . Rev C . 21-01-2025.

This manual MUST be given to the user of the product. Read this manual BEFORE using this product, and keep it for future reference.

The information contained in this document is non-binding and subject to change without notice.



Non-contractual photos

INTRODUCTION	P. 4
FUNCTIONALITY	P. 4
GUARANTEE	P. 5
THE SOFAO	P. 5
DRIVING THE SOFAO	P. 6
SPECIFIC DRIVING TECHNIQUE	P. 7
<u>At the pool</u>	p. 7
<u>At the sea</u>	p. 7
PASSAGER INSTALLATION ON THE SOFAO	P. 8
<u>The transfer</u>	p. 8
<u>Maintaining</u>	p. 8
<u>Comfort</u>	p. 8
SAFETY RULES	P. 8
<u>The team</u>	p. 8
<u>Insurance</u>	p. 8
<u>During the swim</u>	p. 8
EXPLODED VUE OF THE SOFAO	P. 9
MAINTENANCE	P. 10
CARE AND MAINTENANCE	P. 10
CLEANING	P. 10
DISINFECTION	P. 10
INSPECTION LIST	P. 10
LONG-TERM STORAGE	P. 11
AFTER USE	P. 12
WASTE MANAGEMENT	P. 12
TECHNICAL DATA	P. 12
UNFOLDING THE SOFAO	P. 14
CONTACT	P. 17

INTRODUCTION

This user's manual contains important information on handling the SOFAO. To ensure safe use of the product, read the user manual carefully and follow the safety instructions.

If the printed characters in the user manual are too small to read comfortably, you can download the manual in PDF format from the website www.joeletteandco.com. This will allow you to adjust the font size on your screen for better visual comfort.



FUNCTIONALITY

Only use the Sofao if it is in perfect working condition. If not, you may endanger yourself and others. The following list is not exhaustive but highlights some situations that could affect the functionality of your Sofao.

Stop using your Sofao if its functionality is compromised, particularly for the following reasons:

- Failure of the backrest locking system (indexing fingers)
- Failure of the seat locking system (indexing fingers)
- Insufficient tire pressure
- Damaged floats
- Damaged seat, backrest, or leg rest fabrics
- Damaged support device
- Damaged, bent, pinched, or detached cables
- Missing safety pins (rear wheels)
- Unusual or abnormal noises appearing

GUARANTEE

The guarantee is 2 years. The SOFAO must be used for its intended purpose, carefully treated and maintained. Risk of accident and loss of warranty in case of improper care and maintenance (page 10).

For safety reasons and to avoid accidents due to unnoticed wear and tear, it is essential that the Sofao is checked several times a year and at least once a year.

If you have a malfunction on your Sofao, do not intervene yourself at risk of loss of warranty, contact us. Spare parts are available for **5 years**.

WARNING

Any serious incident related to the use of the Sofao should be reported to the manufacturer.

USE ONLY FOR LEISURE ACTIVITIES

THE SOFAO

The SOFAO is an amphibian chair which enables a guide to take the passenger from the car to the sea, without any necessary transfer in between and even without specialized access system.

The guide helps getting in and out of the water safely, thanks to the front handle.

Four floaters with multiple positions allow total immersion up to the shoulders, enabling the passenger to be totally autonomous once into the water. You can also relax, without transfer, because the Sofao becomes a comfortable deckchair thanks to the adjustable backrest.

The Sofao is entirely foldable without any tools. You can roll it while folded and easily transport it in the boot of a middle-size car in order take it everywhere.

It is designed for a large number of users with different needs.



OPERATING THE SOFAO

The Sofao can be driven in different ways depending on the chosen options:

- Without any options, the simplest method is to pull the Sofao using the front handle.
- With the pool wheel option, push the Sofao using the rear handlebar.
- The Tire-Sofao is designed to tow the Sofao from the front. It is recommended to use the additional pair of wheels with this option.

ADJUSTING THE BACKREST

- Stand behind the Sofao, holding the top of the backrest.
- Pull on the rubber handle in the centre of the backrest, then lower it until hearing the «click».

ADJUSTING THE HEIGHT OF THE FLOATS

- Stand behind the Sofao.
- Slide the float along the tube, keeping the locking system pulled, until it clicks into place.





SPECIFIC DRIVING TECHNIQUE

AT THE POOL

- If the pool has a ramp, position yourself behind the Sofao and walk in the direction of travel.

- To go down the stairs of a swimming pool, position yourself at the back of the Sofao, with your back to the slope. Step back into the water, holding on to the wheelchair. To climb them, face the wheelchair and pull it out of the water using the handle.

Go down the stairs



Go up the stairs



- To get the Sofao into or out of the water, hold the Sofao back by the handlebars, then hold the descent, or pull the wheelchair out of the water. This operation can be carried out by two people, one at the front and one at the back.



AT THE SEA

Check that the water is easily accessible. If the sand is loose, we recommend using the optional extra wheels to make the wheelchair easier to operate.

PASSAGER INSTALLATION ON THE SOFAO

THE TRANSFER

If the passenger is unable to transfer himself or herself from the wheelchair to the Sofao, carry the passenger and place him or her in the swimming chair.

MAINTAINING

Before each swim or move, attach the safety straps to the passenger's legs and chest.

COMFORT

Before moving, adjust the seat back tilt to ensure the best possible comfort for the passenger.

SAFETY RULES

THE TEAM

Only one pilot is required to drive the Sofao. At sea, a second pilot must be present to prevent the chair from drifting.

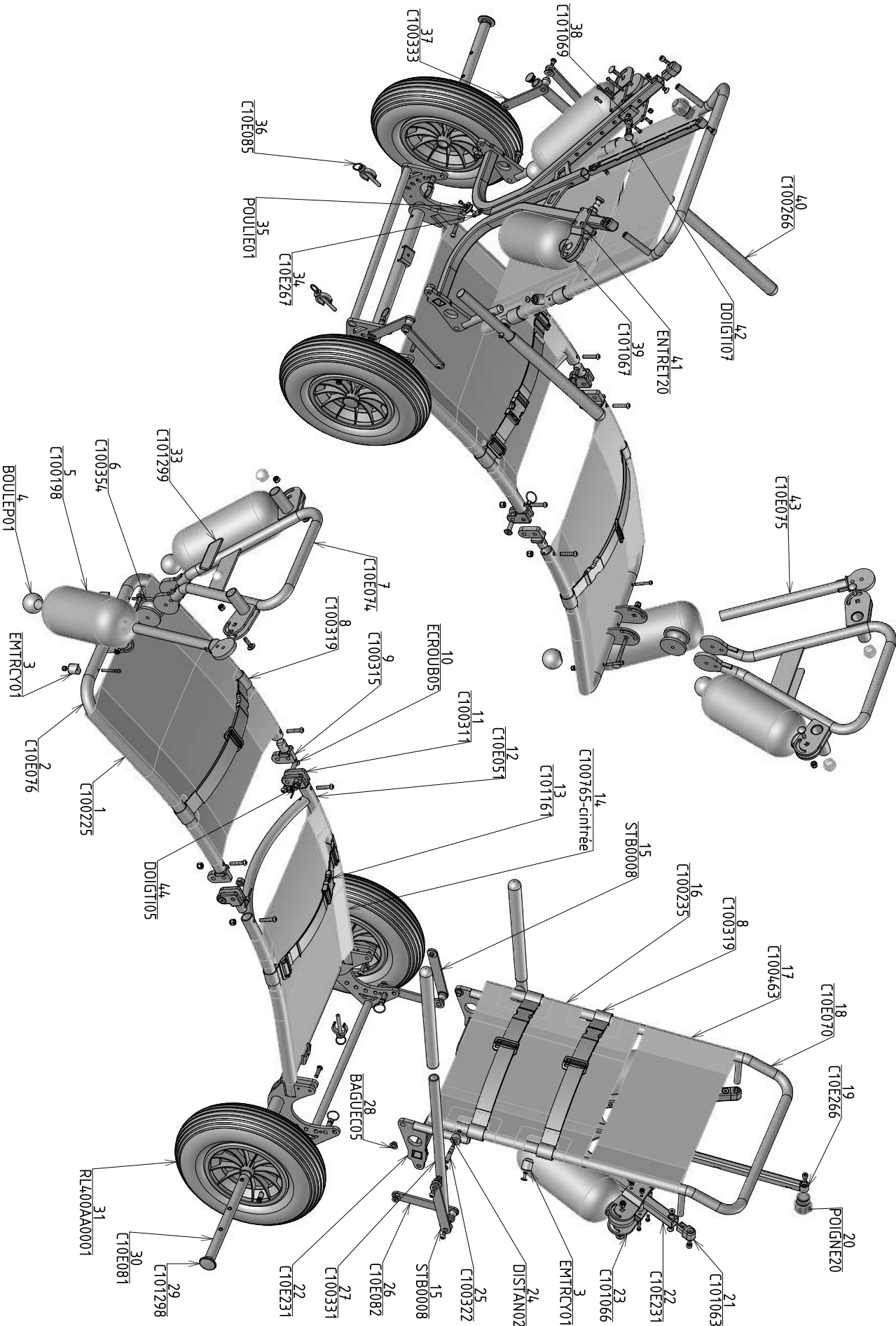
INSURANCE

It is mandatory for each attendant to have a liability insurance. The use of Sofao does not require specific insurance, but this practice must be reported to your insurer.

DURING THE SWIM

- Follow the instructions given by lifeguards.
- Check marine weather and do not use the Sofao in case of swell, wave, wind...
- The attendant should always keep one hand on the Sofao.
- Do not swim outside supervised swimming areas.
- An attendant must always be near the chair. At sea, a second attendant must be present to prevent the chair from drifting.

EXPLODED VUE OF THE SOFAO



MAINTENANCE

CARE AND MAINTENANCE

The term «Maintenance» is suitable for any activity that will keep the Sofao in good condition and ensure its fitness for travel. Maintenance includes various areas such as regular cleaning, inspections, repairs and general overhauls.

It must be done at least once a year regardless of the frequency of use. A second maintenance is necessary in case of regular use (several times a week).

It consists in checking:

- tire pressure
- the presence of safety pins.

DANGER !

Risk of material damage or serious or even fatal injury

Incorrect repair and/or maintenance of the Sofao by users/carers or by unqualified technicians could result in material damage or serious injury, even death.

- **DO NOT** carry out any maintenance work other than that described in this user manual.

Repairs and/or maintenance **MUST** be carried out by the manufacturer or by qualified personnel.

CLEANING

When cleaning the Sofao, observe the following points:

- Rinse the chair after each use to reduce the corrosive effect of salt or chlorine.
- Do not use abrasives for cleaning.
- Do not use high-pressure cleaning equipment.

DISINFECTION

Disinfection using disinfectant products tested and recognized on a damp cloth or by vaporization is permitted. The Robert Koch Institute at <http://www.rki.de> has a list of disinfectant products currently authorized for wet or vaporized cleaning.

INSPECTION LIST

The following tables provide a list of inspections that the user will need to perform at the corresponding intervals.

Before each use of the Sofao

ELEMENT	INSPECTION CHECK	IN CASE OF FAILURE
Seat locking system	Make sure that the movement of the locking system is free without jamming and that the seat locks properly.	Contact us
	Make sure that the indexing fingers are properly inserted in the joints.	Contact us
Tyres	Check that the tyres are not damaged and that there are no leaks in the inflation valves.	Contact us
	Make sure the tyre is inflated to the correct pressure.	Inflate the tyre. Refer to the main wheel tyre table in the «Technical data» chapter. To repair the inner tube, contact us or a bicycle dealer.
Presence of pins and safety pins	Ensure that the wheel axle pins are present.	Contact us
Holding device	Make sure that the belt buckles do their job properly. Check that the seams are not damaged.	Contact us

Regularly

ELEMENT	INSPECTION CHECK	IN CASE OF FAILURE
All Bayline fabrics	Check for damage and wear. Check that the seat zips are closed properly.	Contact us

LONG TERM STORAGE

If you do not use your Sofao for a long period of time, you should prepare it for storage to increase its life span.

We recommend storing the Sofao at a temperature of 15°C and avoiding extreme temperatures to extend the life of the Sofao and its accessories.

The components are tested and approved for higher temperature ranges, detailed below:

- The permissible temperature range for storing the vehicle is -20°C to +40°C.

Store in a dry, well-ventilated environment protected from external influences.

Slightly over-inflate the tyre.

AFTER USE

WASTE MANAGEMENT

- The packaging of the appliances goes to material recycling.
- Metal parts go to scrap metal recycling.
- Plastic parts go to plastic recycling.
- The waste management must be carried out in accordance with the respective national legal regulations.

TECHNICAL DATA

The technical information provided in this document applies to the standard configuration for the Sofao or represents the theoretical maximum values.

These characteristics may change if accessories are added.

Nb: Please note that in some cases the measured values may vary by +/- 10mm.

AUTHORISED CONDITIONS AND PLACES OF USE AND STORAGE	
Operating temperature range	From -10 to +50°C
Storage temperature range	From 0 to +50°C

TYRES	
Tyre type	400 mm diameter
Pressure	2 bar maximum

CHARACTERISTICS	
Total height	1140 - 692 mm (backrest up - reclining)
Total width	754 mm
Total length	1560 - 2455 mm (backrest up - reclining)
Seat height	295 mm
Seat width	495 mm
Seat depth	530 mm
Backrest height	510 mm
Backrest angle	90 / 100 / 110 / 120 / 130 / 140 °
Seat angle	9°
Armrest height	200 mm
Armrest length	335 mm
Ground clearance	154 mm
Storage dimensions	1035 (length) x 610 (width) x 475 (height)

WEIGHT	
Tare weight	19 kg

LOAD	
Max. load	110 Kg

UNFOLDING THE SOFAO



1. Remove the bottom strap between the two wheels.



2. Remove the securing strap at the top of the wheelchair.



3. Remove the safety pins from the wheel axles.



4. Remove the wheel axles.



5. Slide the wheels onto their axles, with the valve facing outwards, then replace the axles in their housings.



6. Replace the safety pins.



7. Unfold the seat



8. Unfold the backrest by pulling on the rubber handle in the centre of the backrest.



8. Unfold the handle on the front of the Sofao




8. Before swimming, unfold the four floats.

To fold the Sofao, repeat the steps in reverse, taking care not to trap or pinch your hand or finger with the moving parts.


A video is available on our website www.joeletteandco.com




You will find the pictograms below in this user manual and on the product label:

 Complies with the essential requirements of the European legislation applicable to the product


 Warning: it is imperative to consult the user manual

 Caution: particular points to bring to your attention

 This marking indicates that within the EU this product must not be disposed of with household waste. In order to prevent possible damage to the environment or human health due to uncontrolled disposal, recycle this appliance responsibly to encourage the sustainable reuse of materials. To return your used appliance, use the return and collection systems or contact the retailer from whom you purchased the product. They will be able to recycle this product in an environmentally-friendly way.

 Catalogue reference

 Manufacturer

 YYYY-MM Date of manufacture (Year-Month)

 Batch number

 Serial number

To find the latest version of the instructions, go to our website



CONTACT

**YOU CAN CONTACT THE JOËLETTE AND CO TEAM
FOR ANY QUESTION**



export@joëletteandco.com

After Sales Service : sav@joëletteandco.com



0033 (0)4 - 77 - 42 - 62 - 58

Join the Joëlette's Community on social networks!



@FERRIOL-MATRAT - ALL RIGHTS RESERVED

This manual is protected by the law of 11 March 1957 on literary and artistic property, supplemented by the law of 3 July 1985 and by all conventions applicable to copyright. In application of these laws and conventions, no reproduction, total or partial copy of the manual, programs or systems is authorised without the prior written consent of FERRIOL-MATRAT. FERRIOL-MATRAT reserves the right to revise and improve these products. This publication describes the state of the product at the time of publication and does not prejudice any changes that may be made to it.